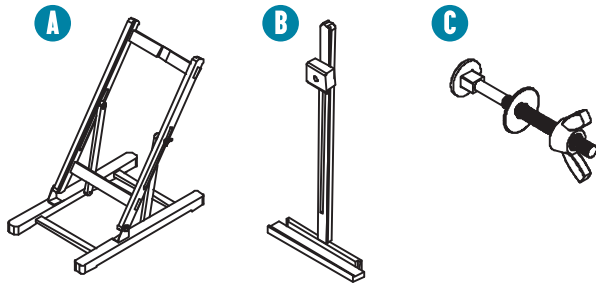




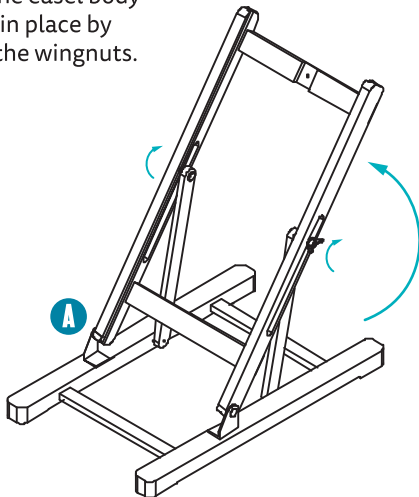
studio table easel

MODEL AA13415
ASSEMBLY INSTRUCTIONS

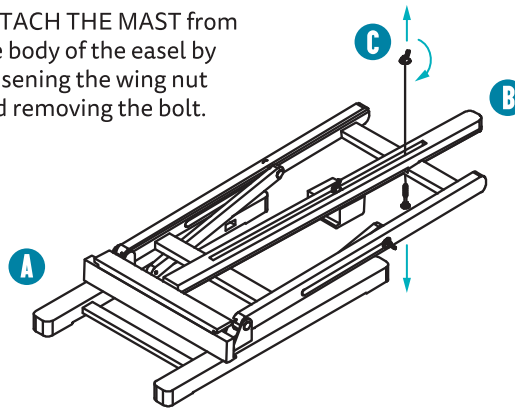
PARTS & HARDWARE



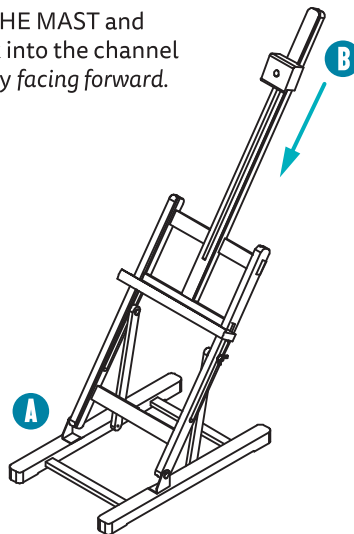
2 UPRIGHT the easel body and secure in place by tightening the wingnuts.



1 DETACH THE MAST from the body of the easel by loosening the wing nut and removing the bolt.



3 REVERSE THE MAST and slide it back into the channel with the tray facing forward.



4 SECURE the mast again with the bolt and wingnut.

