



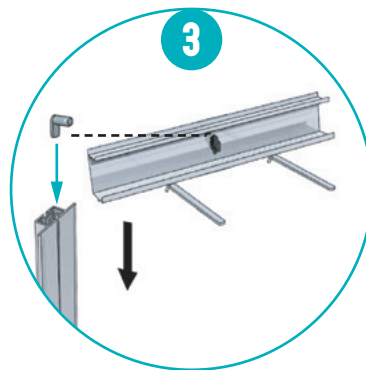
TAHOE aluminum studio easel

MODEL AA13219
ASSEMBLY INSTRUCTIONS

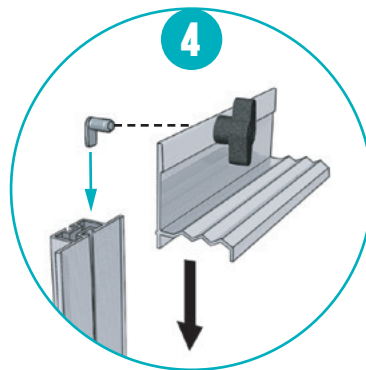
1 Open the front legs and secure the crossbar in place by inserting the foot of the crossbar's center knob into the channel of the main mast. Tighten the knob to fix in place. Then mount the end of the crossbar to the second leg and tighten the knob.



2 Extend the back leg and adjust to the desired incline. Tighten the knob to fix in place.



3 Attach the lower canvas tray by inserting the foot of the tray's knob into the channel of the main mast. Position at the desired height and tighten the knob to fix in place.



4 Attach the upper canvas holder in the same manner.

5 Adjust the palette and brush holders as desired and tighten the knobs to fix in place.

