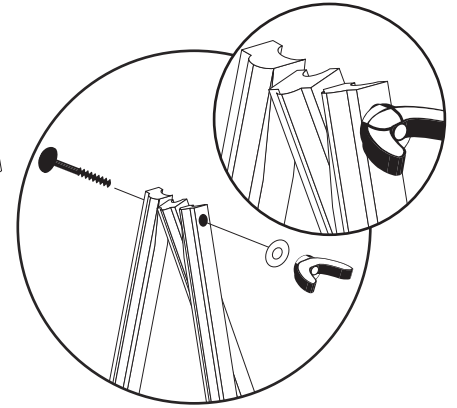
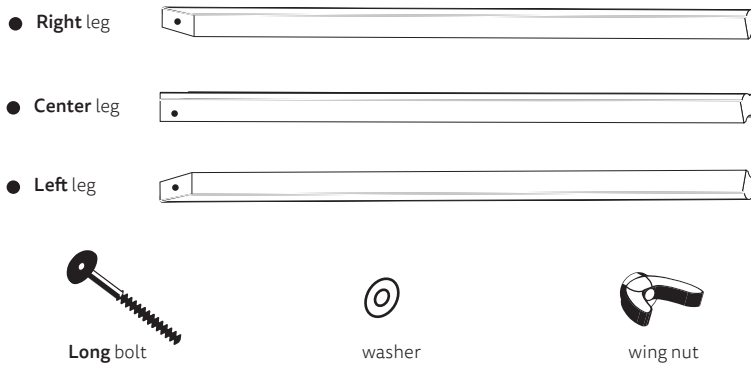




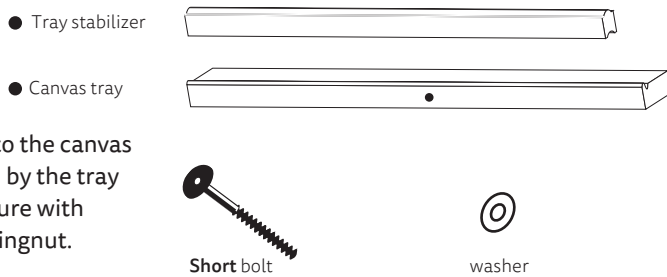
display table easel

MODEL AA13015
SET UP INSTRUCTIONS

1 Join the legs. The top edge of side legs should angle toward the center leg.

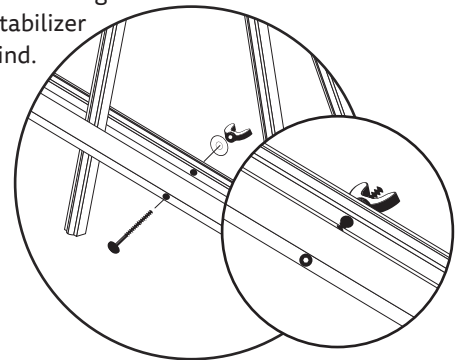


2 Attach tray and stabilizer.



Insert bolt into the canvas tray, followed by the tray stabilizer. Secure with washer and wingnut.

The tray goes in front of the 2 front easel legs and that the stabilizer goes behind.



3 Secure chain to tray stabilizer and center leg.

If necessary, create a pilot hole in the desired position first, using a small drill or awl, then press firmly and twist the screw into place.

